

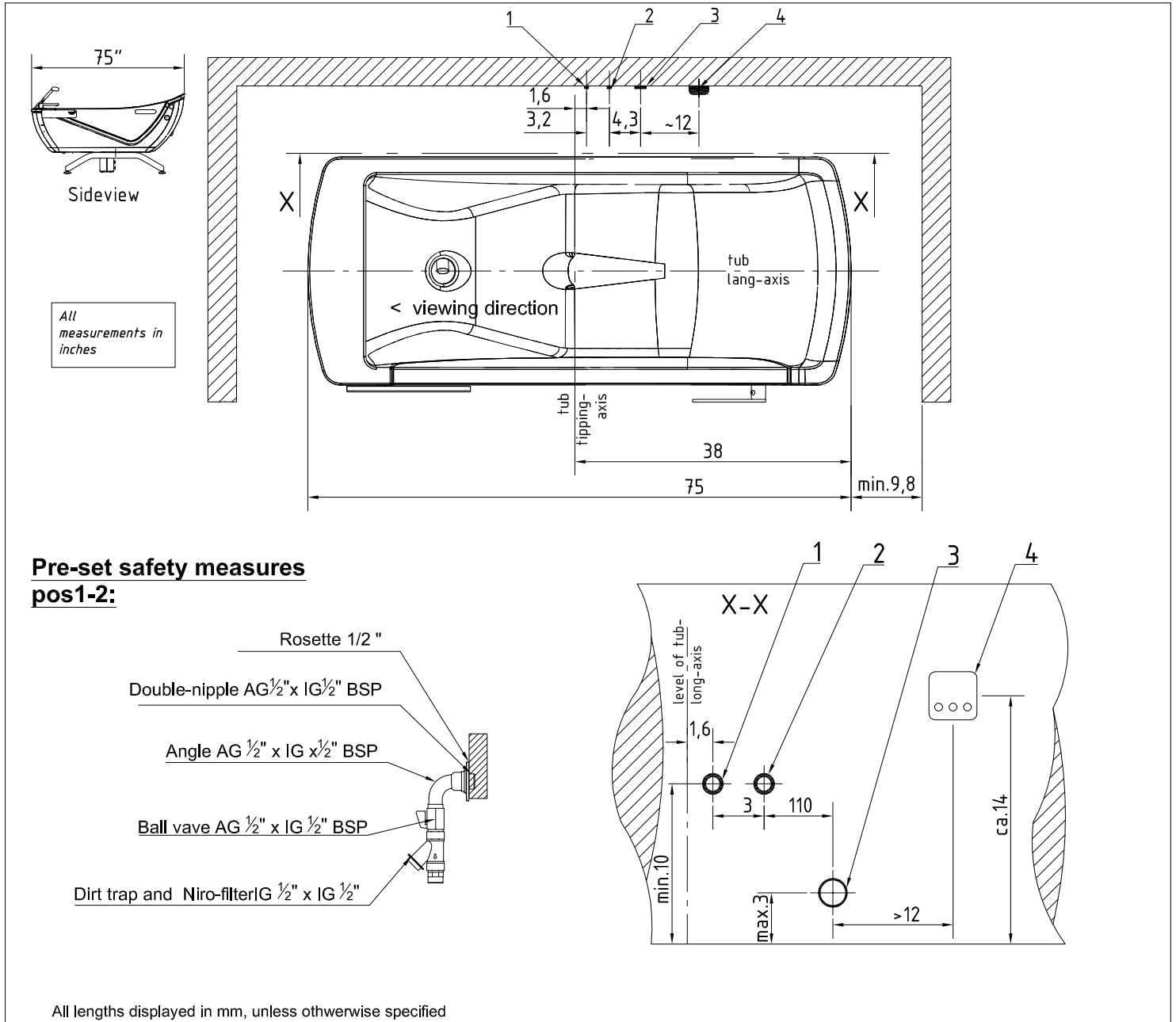
INSTALLATION PLAN

AVERO Motion.

Art.Nr.910150540/ 910150550

Connection at the side

3 Version 05/18 Sm



-> Pre-set safety measures!

Close valves for cold and warm water.
Please comply with local rules and regulations for electrical systems in wet and humid rooms.

-> Building side connections - Sanitary - Electric

- ① Warm water connection 1/2", female threading tile-even. Assemble double-nipple, ball valve, dirt trap and rosette (see details illustration Pos.1 and 2).
- ② Cold water connection 1/2", female threading tile even. Assemble double-nipple, ball valve, dirt trap and rosette (see details illustration Pos.1 and 2).
- ③ Wall drain DN 50, (min. drain capacity 1 l/s.)
- ④ Junction-box (IP X7 when in zone 1), 230 V/50 Hz, 1,5 mm² fuse protection 16 A. Position according to local codes and standards.
- ⑤ Equalize electrical potential according to local codes and standards.